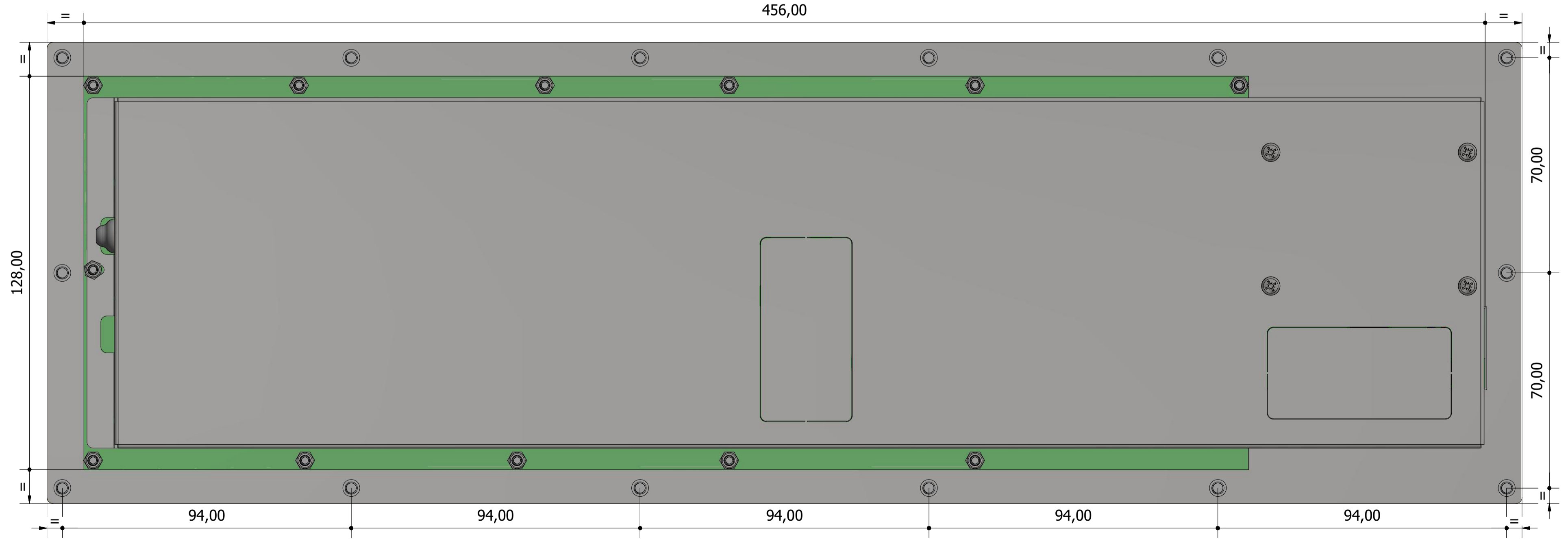
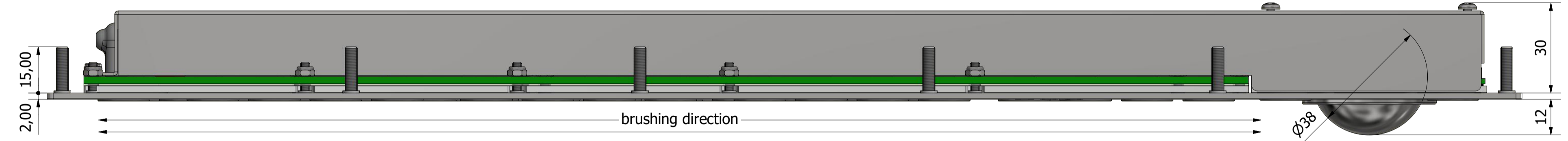
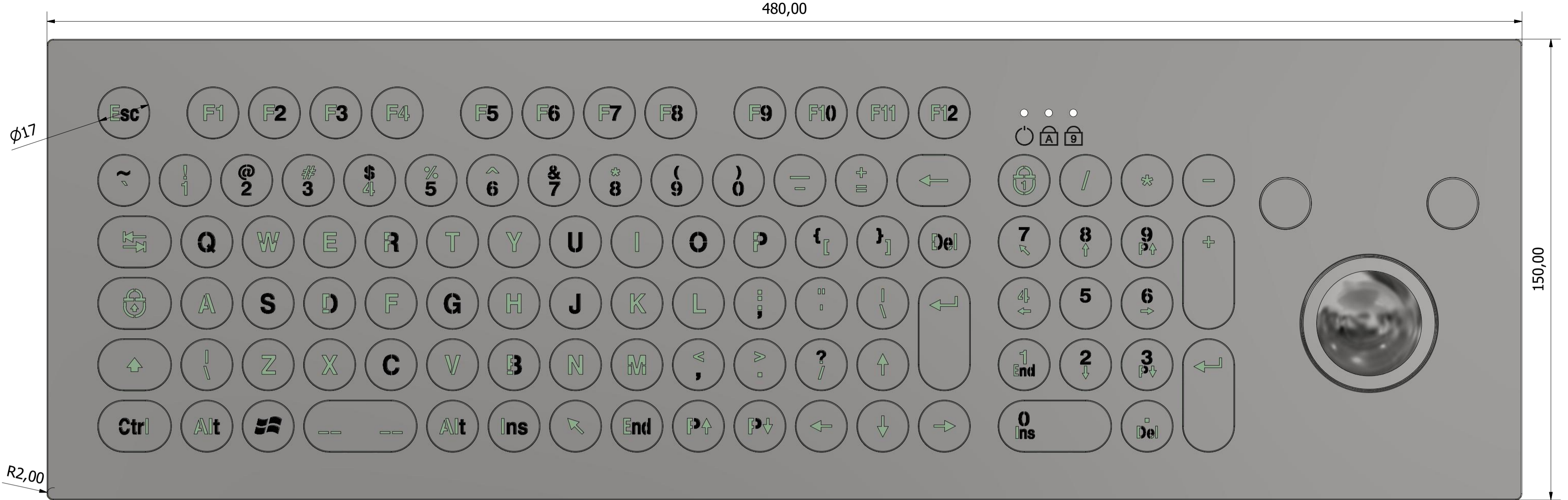
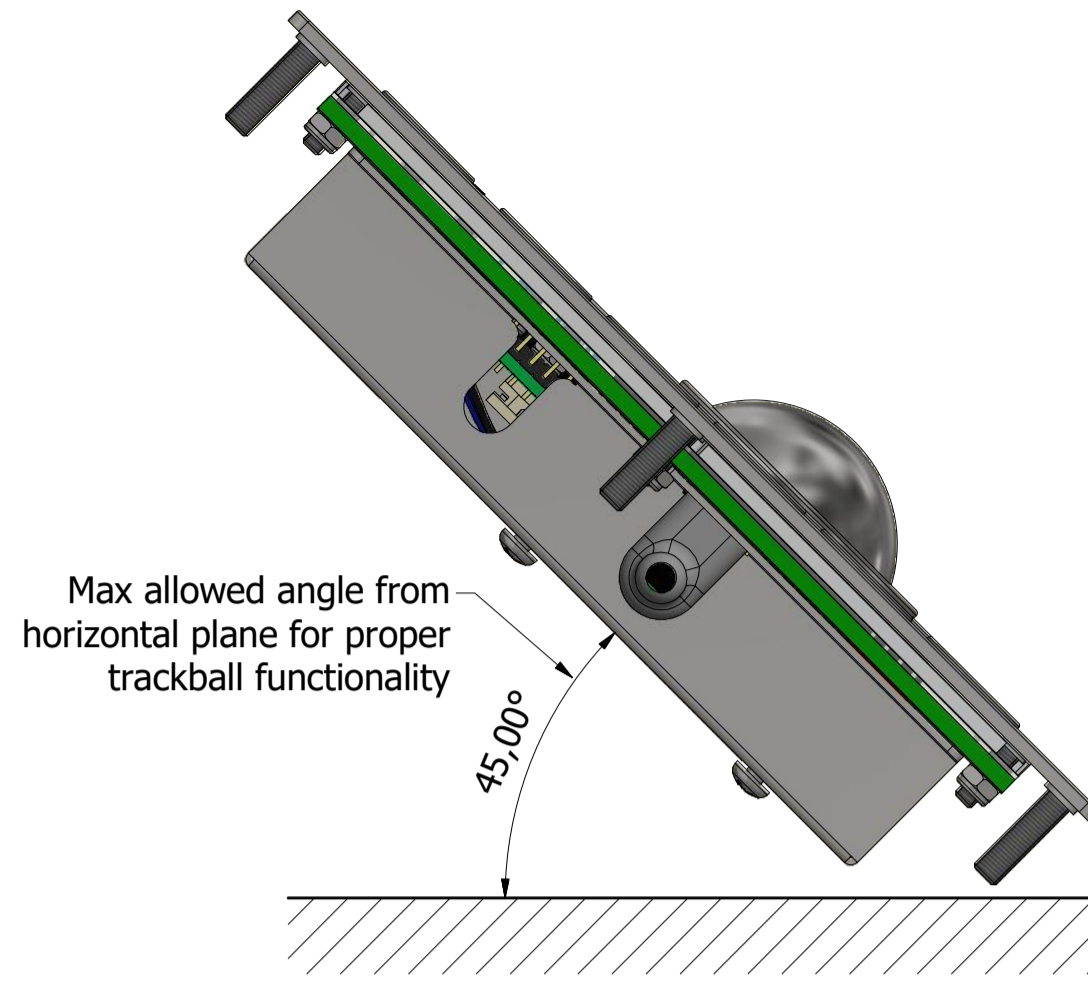


12 11 10 9 8 7 6 5 4 3 2 1

F
E
D
C
B
A



rev	description	date	signed
1	Added rear enclosure	19/06/2017	A.Tosi

Grafos Steel S.r.l.
Via Treves 19/21
41043 Formigine (MO) ITALY
Tel. +39.059.57.50.267
www.grafossteel.it

Title: Digi Inox keyboard; 98 buttons (R17 keycap); front mount; USB+PS/2 interface; stainless steel trackball

P/N: **DGI.98R17.F-TI** Rev: **DGI.98R17.F-TI (Data-sheet).idw**

Dimensions without indicated tolerances - precision according to: **ISO 2768 F**

Tolerance class	Length (mm)			
	>0 - 6	>6-30	>30-120	>120-400
C (Coarse)	± 0.2	± 0.5	± 0.8	± 1.2
M (medium)	± 0.1	± 0.2	± 0.3	± 0.5
F (Fine)	± 0.05	± 0.1	± 0.15	± 0.2

Date: 28/12/2016

Material: - Surface treatment: -

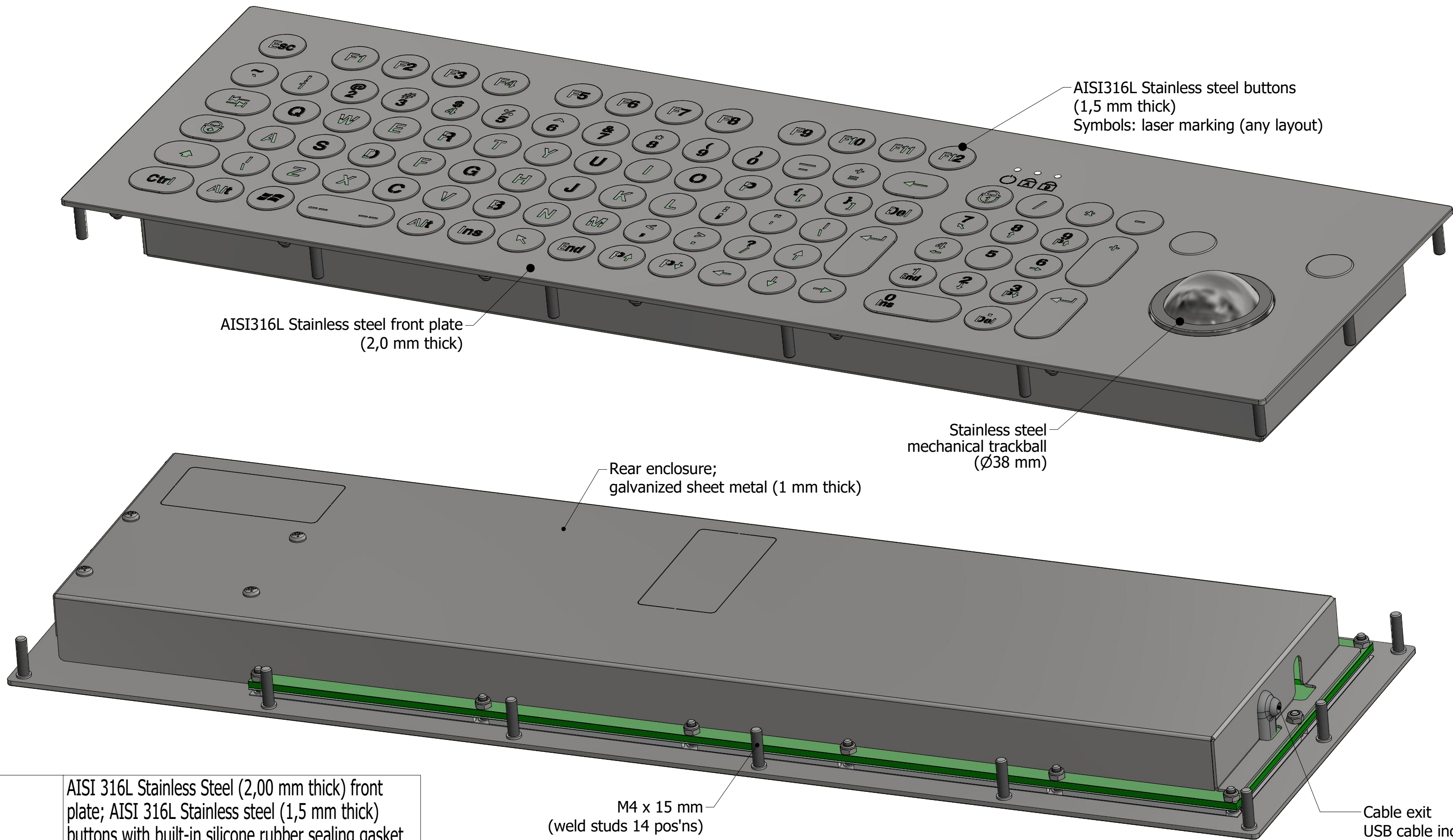
Drawn: **A. Tosi** Approved: -

Sheet: 1 Of: 2

UNLESS OTHERWISE SPECIFIED, DIMENSIONS ARE IN MILLIMETERS

12 11 10 9 8 7 6 5 4 3 2 1

rev	description	date	signed
1	Added rear enclosure	19/06/2017	A.Tosi



Material	AISI 316L Stainless Steel (2,00 mm thick) front plate; AISI 316L Stainless steel (1,5 mm thick) buttons with built-in silicone rubber sealing gasket
Lettering	Laser marking
Button stroke	0,6 mm +/- 0,1 mm
Actuation force	4,0 N (typical)
Life expectancy	>3.000.000 cycles
IP Protection rate	IP65 (when ball is stationary); IP54 (when ball is rotating)
Contact technology	Stainless steel metal dome on Gold plated PCB
Connection	USB or PS/2
Operating temperature	0°/+50°C
Storage temperature	-25°/+55°C

Grafos Steel S.r.l. Via Treves 19/21 41043 Formigine (MO) ITALY Tel. +39.059.57.50.267 www.grafossteel.it		Title: Digi Inox keyboard; 98 buttons (R17 keycap); front mount; USB+PS/2 interface; stainless steel trackball																									
P/N: DGI.98R17.F-TI	Rev:	File: DGI.98R17.F-TI (Data-sheet).idw	Drawn: A.Tosi																								
Date: 28/12/2016		Dimensions without indicated tolerances - precision according to: ISO 2768 F																									
Material: -	Surface treatment: -	<table border="1"> <thead> <tr> <th rowspan="2">Tolerance class</th> <th colspan="4">Lenght (mm)</th> </tr> <tr> <th>>0 - 6</th> <th>>6-30</th> <th>>30-120</th> <th>>120-400</th> </tr> </thead> <tbody> <tr> <td>C (Coarse)</td> <td>± 0.2</td> <td>± 0.5</td> <td>± 0.8</td> <td>± 1.2</td> </tr> <tr> <td>M (medium)</td> <td>± 0.1</td> <td>± 0.2</td> <td>± 0.3</td> <td>± 0.5</td> </tr> <tr> <td>F (Fine)</td> <td>± 0.05</td> <td>± 0.1</td> <td>± 0.15</td> <td>± 0.2</td> </tr> </tbody> </table>	Tolerance class	Lenght (mm)				>0 - 6	>6-30	>30-120	>120-400	C (Coarse)	± 0.2	± 0.5	± 0.8	± 1.2	M (medium)	± 0.1	± 0.2	± 0.3	± 0.5	F (Fine)	± 0.05	± 0.1	± 0.15	± 0.2	Approved:
Tolerance class	Lenght (mm)																										
	>0 - 6	>6-30	>30-120	>120-400																							
C (Coarse)	± 0.2	± 0.5	± 0.8	± 1.2																							
M (medium)	± 0.1	± 0.2	± 0.3	± 0.5																							
F (Fine)	± 0.05	± 0.1	± 0.15	± 0.2																							
		Sheet: 2	Of: 2																								

UNLESS OTHERWISE SPECIFIED, DIMENSIONS ARE IN MILLIMETERS