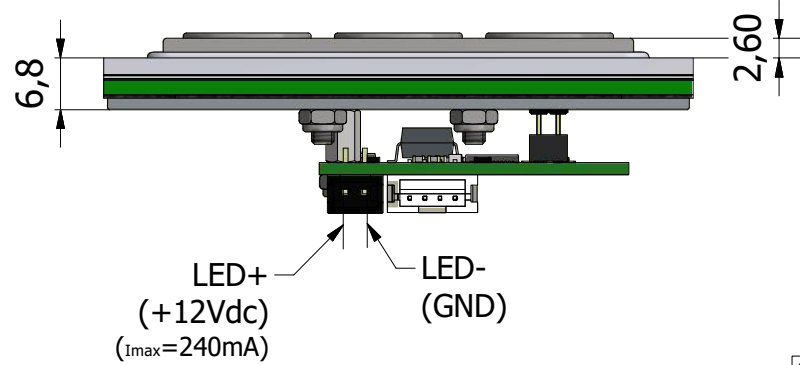
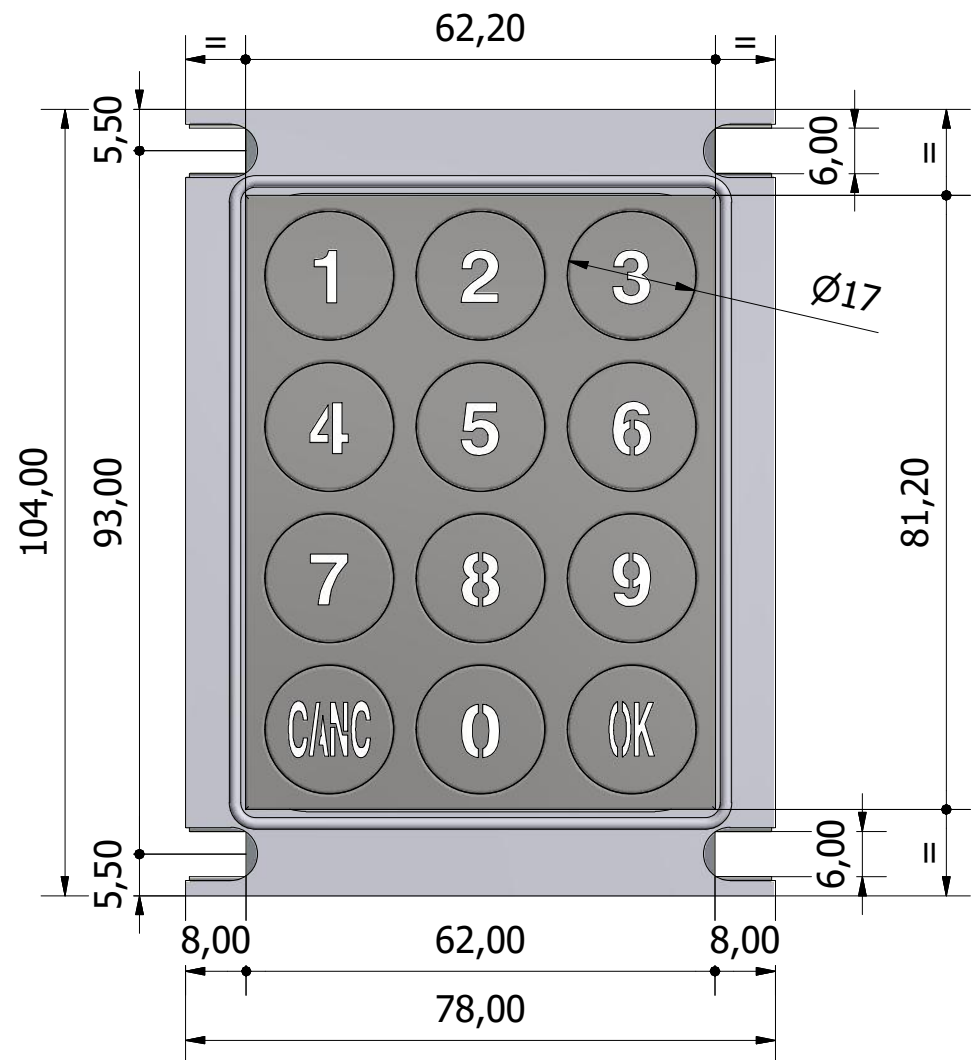
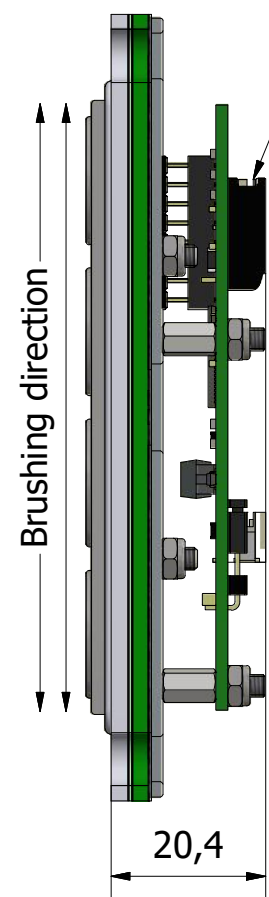


LED backlighting
AMP MODU HEADER
2 PINS (P/N 280370-1)



Grafos Steel S.r.l.
Via Treves 19/21
41043 Formigine (MO) ITALY
Tel. +39.059.57.50.267
www.grafossteel.it
Date: (dd/mm/yyyy)
14/12/2017
Material:

Title: DIGI-Inox Keypad 12 buttons (R17) white backlit; USB interface (OK CANCEL buttons)

P/N: **DGI.12R17.R-B-U** Rev: File: DGI.12R17.R-B-U_OK (Data sheet).idw

Dimensions without indicated tolerances - precision according to: ISO 2768 M	Tolerance class	Lenght (mm)			
		>0 - 6	>6-30	>30-120	>120-400
	C (Coarse)	± 0.2	± 0.5	± 0.8	± 1.2
	M (medium)	± 0.1	± 0.2	± 0.3	± 0.5
F (Fine)	± 0.05	± 0.1	± 0.15	± 0.2	

Drawn: **A. Tosi**
Approved:
Sheet: 1 Of: 2

UNLESS OTHERWISE SPECIFIED, DIMENSIONS ARE IN MILLIMETERS

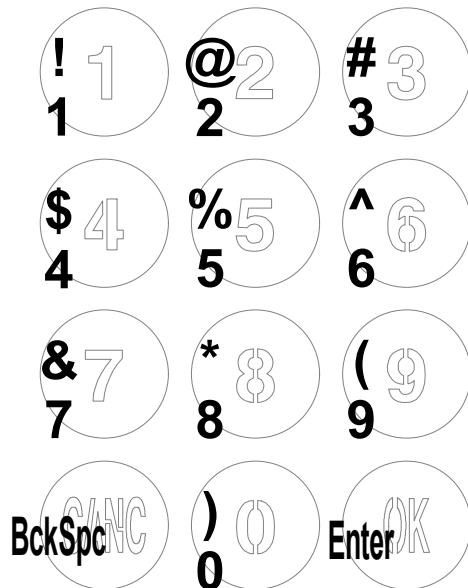
AISI316L Stainless steel front panel (2 mm thick)

AISI316L Stainless steel buttons with transparent backlit symbols (standard color: white)

Silicone rubber sealing gasket

Material	AISI 316L Stainless Steel (2,00 mm thick) front plate; AISI 316L Stainless steel (1,5 mm thick) buttons with built-in silicone rubber sealing gasket
Lettering	Backlit symbols (white opalescent polycarbonate infill)
Button stroke	0,6 mm +/- 0,1 mm
Actuation force	4,0 N (typical)
Life expectancy	>3.000.000 cycles
IP Protection rate	IP65
Impact Protection Rate	IK08
Contact technology	Stainless steel metal dome on Gold plated PCB
Connection	USB
Operating temperature	-25°/+85°C
Storage temperature	-25°/+85°C

USB Output



USB output (1,6m cable included)

USB interface

LED backlighting
AMP MODU HEADER
2 PINS (P/N 280370-1)

Grafos Steel S.r.l.
Via Treves 19/21
41043 Formigine (MO) ITALY
Tel. +39.059.57.50.267
www.grafossteel.it

Date: (dd/mm/yyyy)
14/12/2017

Material:

Title: DIGI-Inox Keypad 12 buttons (R17) white backlit; USB interface (OK CANCEL buttons)

P/N: **DGI.12R17.R-B-U**

Rev:

File: DGI.12R17.R-B-U_OK (Data sheet).idw

Dimensions without indicated tolerances - precision according to:

ISO 2768 M

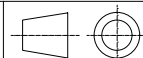
Tolerance class	Length (mm)			
	>0 - 6	>6-30	>30-120	>120-400
C (Coarse)	± 0.2	± 0.5	± 0.8	± 1.2
M (medium)	± 0.1	± 0.2	± 0.3	± 0.5
F (Fine)	± 0.05	± 0.1	± 0.15	± 0.2

Drawn: **A. Tosi**

Approved:

Sheet: 2

Of: 2



UNLESS OTHERWISE SPECIFIED, DIMENSIONS ARE IN MILLIMETERS