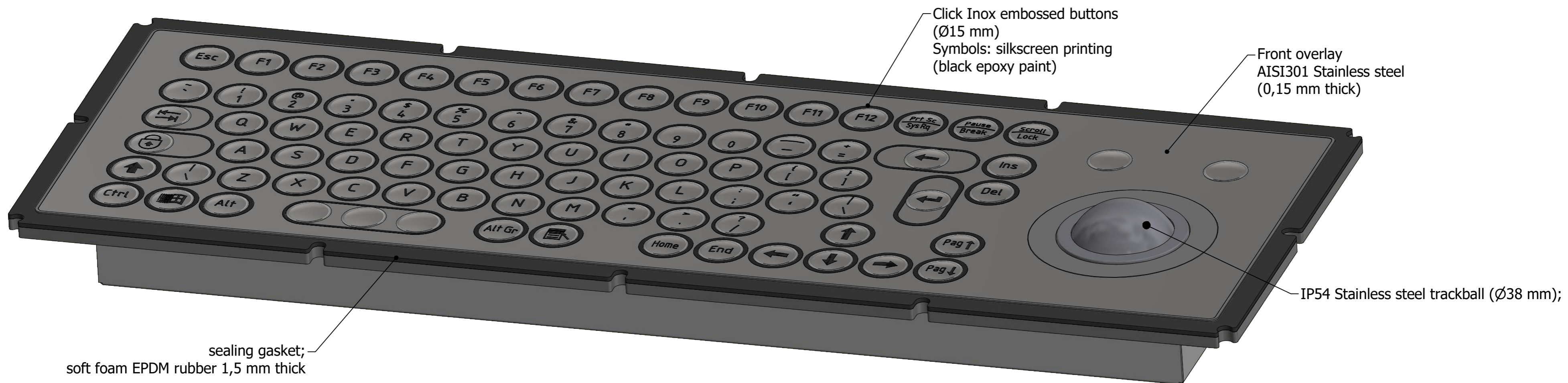


Grafos Steel S.r.l. Via Treves 19/21 41043 Formigine (MO) ITALY Tel. +39.059.57.50.267 www.grafossteel.it		Title: Click-Inox keyboard; 85 buttons (R15 embossed); rear mount; USB and PS/2 interface; IP54 Stainless steel trackball P/N: CKI.85R15-R-TI File: CKI.85R15-R-TI (Data Sheet).idw	
Date: 18/03/2017	Material: -	Surface treatment: -	Rev: - Tolerance class: - Dimensions without indicated tolerances - precision according to: ISO 2768 F
Tolerance class: - Length (mm): - C (Coarse) ± 0.2 ± 0.5 ± 0.8 ± 1.2 M (medium) ± 0.1 ± 0.2 ± 0.3 ± 0.5 F (Fine) ± 0.05 ± 0.1 ± 0.15 ± 0.2		Drawn: A. TOSI Approved: A. TOSI Sheet: 1 Of: 2	

UNLESS OTHERWISE SPECIFIED, DIMENSIONS ARE IN MILLIMETERS

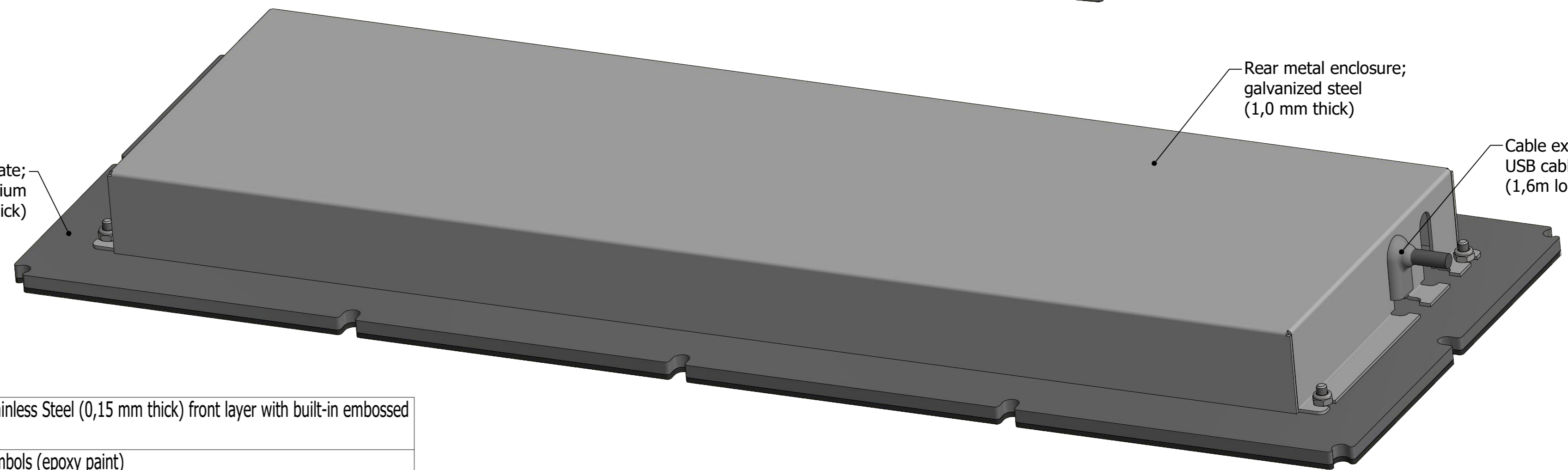


Click Inox embossed buttons
(Ø15 mm)
Symbols: silkscreen printing
(black epoxy paint)

Front overlay
AISI301 Stainless steel
(0,15 mm thick)

IP54 Stainless steel trackball (Ø38 mm);

sealing gasket;
soft foam EPDM rubber 1,5 mm thick



Rear metal enclosure;
galvanized steel
(1,0 mm thick)

Metal plate;
Anodized aluminium
(5754 H111 alloy; 6 mm thick)

Cable exit
USB cable included
(1,6m long)

Material	Modified AISI 301 Stainless Steel (0,15 mm thick) front layer with built-in embossed buttons (Ø15mm)
Lettering	Silkscreen printed symbols (epoxy paint)
Button stroke	0,5 mm +/- 0,1 mm
Actuation force	6,0 N (typical)
Life expectancy	>3.000.000 cycles
IP Protection rate	IP54
Impact Protection Rate	IK10
Contact technology	Silver conductive pad on Gold plated PCB
Contact resistance	<100 Ohm
Insulation resistance	>500K Ohm
Connection	USB, PS/2
Operating temperature	0°/+50°C
Storage temperature	-25°/+55°C
Declaration of compliance	This device complies with following rules and directives: 2004/108/EC CEI EN 55022 (2009-01) CEI EN 55024 (1999-04) * A1 (2002) + A2 (2003) + IS1 (2008) CEI EN 61000-4-2 (1996-09) + A1 (1999-02) + A2 (2001-10) CEI EN 61000-4-3 (2007-04) + A1 (2009) European RoHS Directive 2002/95/EC

Grafos Steel S.r.l. Via Treves 19/21 41043 Formigine (MO) ITALY Tel. +39.059.57.50.267 www.grafossteel.it		Title: Click-Inox keyboard; 85 buttons (R15 embossed); rear mount; USB and PS/2 interface; IP54 Stainless steel trackball	
P/N: CKI.85R15.R-TI		Rev:	File: CKI.85R15.R-TI (Data Sheet).idw
Date: 18/03/2017		Dimensions without indicated tolerances - precision according to: ISO 2768 F	
Material:	Surface treatment:	Tolerance class	Length (mm)
-	-	C (Coarse)	>0-6 ±0.2 >6-30 ±0.5 >30-120 ±0.8 >120-400 ±1.2
		M (medium)	±0.1 ±0.2 ±0.3 ±0.5
		F (Fine)	±0.05 ±0.1 ±0.15 ±0.2
		Drawn:	A.Tosi
		Approved:	A.Tosi
		Sheet:	2
		Of:	2

UNLESS OTHERWISE SPECIFIED, DIMENSIONS ARE IN MILLIMETERS